



Ø34mm 820*820mm,
Floor to Wall 2U Type grab bar

PBS900A1-82

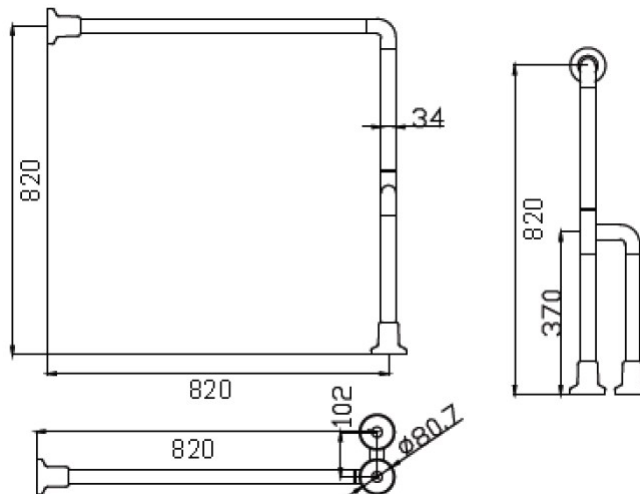
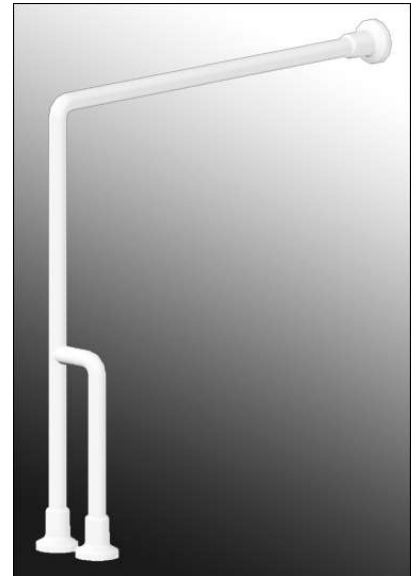
Materials: The Ø34mm rails composed of injected molding ABS tube reinforced with aluminum alloy. Concealed flanges are stainless steel & flange covers are molded ABS.

Finish: The rail was smooth ABS tube with ovally knobbls impressed on surface offers better grip for wet hands or damp conditions.

Color: White.

Loading: Testing upto 150 Kg the rail was remain intact.

Anti-baterial, avoid cold grip
No earthing/grounding needed
Certificate: CE, ISO 9001:2000



Origin:	Taiwan
Supplier:	Polytek Building Supplies Ltd.
Phone:	852-2806 3322
Fax:	852-2806 0388
E-mail:	bs@polytek.com.hk

